

CU3030 - 300lb Self-Contained Ice Machine

Prodigy® Undercounter Cuber with Storage



CU3030

Features and Benefits

- Prodigy® undercounter cubers use significantly less energy and water than other cube ice machines, exceeding Federal energy efficiency regulations.
- AutoAlert™ control panel can communicate operating status and signal when it's time to descale, sanitize and more- making upkeep easier.
- The patented WaterSense adaptive purge control delivers maximum reliability by reducing scale buildup for a longer time between cleanings.
- All external panel components are crafted for optimal aesthetic appeal through superior fit and finish.
- Preventative maintenance is simpler than ever with easily-removed door, top panel and storage bin allowing clear access to all internal components and a diagnostic code display insuring the right fix the first time.
- Includes ice scoop, 6" adjustable legs and 6' power cord.

CU3030 - 300lb Self-Contained Ice Machine

WaterSense Adaptive Purge Control



24 Hour Volume Production

| Air Cooled | | Water Cooled | |
|------------------------|--------------|------------------------|------------------------|
| 70°F/21°C 50°F/10°C | Air Water | 90°F/32°C 70°F/21°C | 70°F/21°C 50°F/10°C |
| 313/142 lb/kg | | 224/102 lb/kg | 347/158 lb/kg |
| | | | 282/128 lb/kg |



Cube Ice

Common ice form, ideal for mixed drinks.



Small Cube
7/8" x 7/8" x 3/8"
(2.22 x 2.22 x .95 cm)



Medium Cube
7/8" x 7/8" x 7/8"
(2.22 x 2.22 x 2.22 cm)



Certification



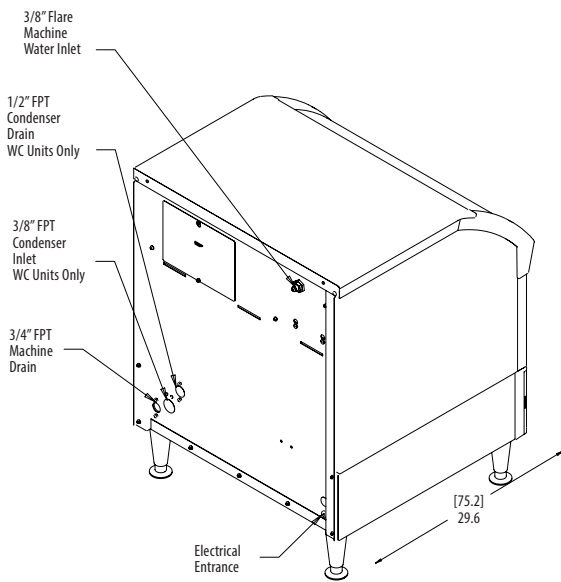
Warranty

- 3 years parts and labor on all components.
- 5 years parts and labor on the evaporator.
- 5 years parts on the compressor and condenser.
- Warranty valid in North, South & Central America for commercial installations.
- Contact factory for warranty in other regions.

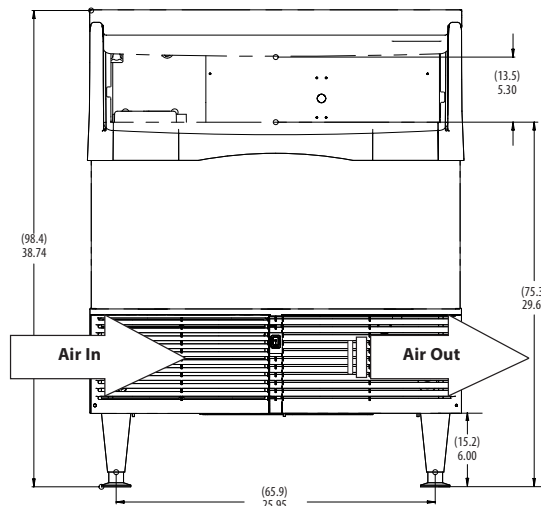
• 101 Corporate Woods Parkway, Vernon Hills, IL 60061 •
 • 1-800-SCOTSMAN • Fax: 847-913-9844 • www.scotsman-ice.com • customer.relations@scotsman-ice.com •

CU3030 - 300lb Self-Contained Ice Machine

Prodigy® Undercounter Cuber with Storage



Installation Note: Allow 6" at back for utility connections



FRONT VIEW

CU3030 - 300lb Self-Contained Ice Machine



Specifications

| Model Number* | Condenser Unit | Storage lb/kg | Basic Electrical Volts/Hz/Phase | Max. Fuse Size or HACR Circuit Breaker (amps) | Circuit Wires | Min. Circuit Ampacity | Energy Consumption kWh/100 lb (45.4 kg) 90°F(32°C)/70°F(21°C) | Water Usage Gallons/100 lb (liters/45.4 kg) 90°F(32°C)/70°F(21°C) | | Energy Star® |
|---------------|----------------|---------------|---------------------------------|---|---------------|-----------------------|---|---|-----------|--------------|
| | | | | | | | | Potable | Condenser | |
| CU3030MA-1 | Air | 110/50 | 115/60/1 | 15 | 2 | Cord | 7.35 | 18.0/68.2 | - | ✓ |
| CU3030MA-32 | Air | 110/50 | 208-230/60/1 | 15 | 2 | Cord | 7.35 | 18.0/68.2 | - | ✓ |
| CU3030SA-1 | Air | 110/50 | 115/60/1 | 15 | 2 | Cord | 7.35 | 18.0/68.2 | - | ✓ |
| CU3030SA-32 | Air | 110/50 | 208-230/60/1 | 15 | 2 | Cord | 7.35 | 18.0/68.2 | - | ✓ |
| CU3030SW-1 | Water | 110/50 | 115/60/1 | 15 | 2 | Cord | 5.22 | 18.0/68.2 | 150/586 | |



All Models

Dimensions (W x D x H):

Unit: 30" x 30" x 33"
(76.2 x 76.2 x 83.8 cm)

Shipping Carton: 32" x 33" x 37"
(81.3 x 83.8 x 94.0 cm)

Shipping Weight: 200lb / 91kg

BTUs per hour: 5,200

Refrigerant: R-404A



Accessories

| Model Number | Description |
|--------------|---|
| KLP85 | Kit 6 inch leg SS |
| KPUFM30 | Kit Prodigy undercounter floor mount 30 inch for CU3030 (add .5" to height) |

Scotsman recommends all ice machines have water filtration. See Scotsman water filter specification sheet for details.



Operating Requirements

| | Minimum | Maximum |
|--------------------|-------------------|-------------------|
| Air Temperatures | 50°F (10°C) | 100°F (38°C) |
| Water Temperatures | 40°F (4.4°C) | 100°F (38°C) |
| Remote Cond. Temps | -20°F (-29°C) | 120°F (49°C) |
| Water Pressures | 20 PSIG (1.4 bar) | 80 PSIG (5.5 bar) |
| Electrical Voltage | -5% | +10% |

Specifications and design are subject to change without notice.

• 101 Corporate Woods Parkway, Vernon Hills, IL 60061 •

• 1-800-SCOTSMAN • Fax: 847-913-9844 • www.scotsman-ice.com • customer.relations@scotsman-ice.com •

Scotsman®