

# Coldrink 4 - 7FC System

Delivers premium quality water for high flow fountain applications



## APPLICATIONS

Fountain

## FEATURES AND BENEFITS

Improves the taste of fountain beverages and helps retain the drink's carbonation.

Balanced cartridge for optimum performance in varying water qualities.

Protects drink system seals, pump, tubing and small orifices from clogging, corrosion and abrasive wear.

Reduces chlorine taste and odor and other offensive contaminants.

New Fibredyne™ II media inhibits the growth of bacteria.

Fibredyne submicron carbon block technology reduces dirt and particles as small as 1/2 micron in size and reduces health contaminants such as cysts.

20" prefilter reduces dirt and particles.

Manifold features water shut-off, flushing valve and outlet pressure gauge.

Sanitary cartridge replacement is simple, quick and clean. Internal filter parts are never exposed to handling or contamination.

Plate-mounted system allows for easy installation and start-up.

NSF Certified under NSF/ANSI Standards 42 & 53.



Coldrink 4 - 7FC: EV9328-74  
7FC Replacement Cartridge: EV9692-61  
EC210 Prefilter Cartridge: EV9534-26 (6 PK)

## OPERATIONAL TIPS

Change cartridges on a regular 6 month preventative maintenance program.

Change cartridges when capacity is reached or when pressure falls below 10 psi.

Service flow rate must not exceed 10.0 gpm.

Always flush the filter cartridge at time of installation and cartridge change.

Inspect EC210 cartridge periodically to determine dirt load.

Replace EC210 cartridge when dirt has penetrated through to the inner core of the cartridge.

## SPECIFICATIONS

<b>Overall Dimensions:</b>	25.59" H x 29.36 W x 6.75" D (65 X 74.57 X 17.14 cm)
<b>Inlet Connection</b>	3/4"
<b>Outlet Connection</b>	3/4"
<b>Service Flow Rate:</b>	Maximum 10.0 gpm (37.85 Lpm)
<b>Rated Capacity:</b>	100,000 Gallons (378,541 L)
<b>Pressure Requirements:</b>	10 - 125 psi (0.7 - 8.6 bar), non-shock
<b>Maximum Temperature:</b>	35 - 100°F (2 - 38°C)
<b>Electrical Connection:</b>	None required
<b>Shipping Weight:</b>	43 lbs. (19.50 kg)
<b>Operating Weight:</b>	55 lbs.

# Coldrink 4 -7FC System

## EV9328-74

### INSTALLATION TIPS

Choose a mounting location suitable to support the full weight of the system when operating.

Never use a saddle valve for connection.

Use 3/4" water line.

Do not connect system to water-cooled condenser.

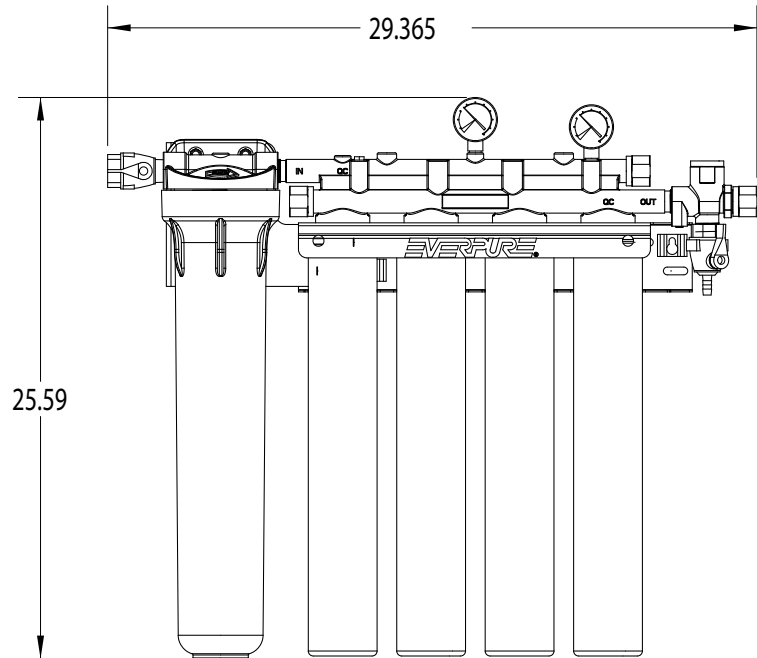
Install vertically with cartridges hanging down and allow 2½" clearance below the cartridge for easy cartridge replacement.

Flush cartridges by running water through system for five minutes at full flow.

The contaminants or other substances removed or reduced by this drinking water system are not necessarily in your water. Do not use with water that is microbiologically unsafe or of unknown quality without adequate disinfection before or after the system. Systems certified for cyst reduction may be used with disinfected water that may contain filterable cysts.

Everpure water treatment systems (excluding replaceable elements) are covered by a limited warranty against defects in material and workmanship for a period of five years after date of purchase. Everpure replaceable elements (filter cartridges and water treatment cartridges) are covered by a limited warranty against defects in material and workmanship for a period of one year after date of purchase. See printed warranty for details. Everpure will provide a copy of the warranty upon request.

*Everpure reserves the right to update specifications, change prices, or make substitutions without notice.*



System Tested and Certified by NSF International against NSF/ANSI Standards 42 and 53 for the reduction of:

- Standard No. 42 — Bacteriostatic Effects
- Aesthetic Effects
- Chemical Reduction
  - Taste and Odor
  - Chlorine
- Mechanical Filtration
  - Particulate Class I
- Standard No. 53 — Health Effects
- Mechanical Filtration
  - Turbidity
  - Cyst

EV9328-74 Coldrink 4 - 7FC AP11



**WATER YOU CAN TRUST<sup>®</sup>**

Visit our website at [www.everpure.com](http://www.everpure.com)

Everpure-SHURflo India  
Green Boulevard, B-9/A, 7th Floor -  
Tower B Sector 62, Noida - 201301  
TEL: 91.120.419.9444  
FAX: 91.120.419.9400  
EMAIL: [indiacustomer@pentair.com](mailto:indiacustomer@pentair.com)

Everpure-SHURflo Japan Inc.  
Hashimoto MN Bldg. 7F  
3-25-1 Hashimoto, Midori-ku  
Sagamihara-Shi Kanagawa 252-0143  
JAPAN  
TEL: 81.(0)42.775.3011  
FAX: 81.(0)42.775.3015  
EMAIL: [info@everpure.co.jp](mailto:info@everpure.co.jp)

Everpure-SHURflo China  
21F Cloud 9 Plaza, No 1118,  
Shanghai, 200052  
CHINA  
TEL: 86.21.3211.4588  
FAX: 86.21.3211.4580  
EMAIL: [China.Water@Pentair.com](mailto:China.Water@Pentair.com)

Pentair Filtration Solutions, LLC  
World Headquarters-Everpure/SHURflo  
North and South America Sales  
1040 Muirfield Dr.  
Hanover Park, Illinois 60133  
USA  
TEL: 800.942.1153 (US only)  
TEL: 630.307.3000  
FAX: 630.307.3030  
EMAIL: [cseverpure@pentair.com](mailto:cseverpure@pentair.com)

Everpure-SHURflo Australia  
2 Redwood Drive  
Notting Hill  
Victoria, 3168  
AUSTRALIA  
TEL: 011.61.39.574.4000  
FAX: 011.61.39.562.7237  
EMAIL: [au.everpure@pentair.com](mailto:au.everpure@pentair.com)

Everpure-SHURflo Southeast Asia  
18 Boon Lay Way  
#04-110/111  
TradeHub 21, 609966  
SINGAPORE  
TEL: 65.6795.2213  
FAX: 65.6795.2219  
EMAIL: [cseverpure@pentair.com](mailto:cseverpure@pentair.com)

Everpure-SHURflo Europe  
Pentair Water Belgium bvba  
Industriepark Wolfstee  
Toekomstlaan  
30 B-2200 Herentals, BELGIUM  
TEL: +32.(0).14.283.500  
FAX: +32.(0).14.283.505  
EMAIL: [sales@everpure-europe.com](mailto:sales@everpure-europe.com)