



# EVERPURE® HIGH FLOW CSR TRIPLE-7FC SYSTEM

DELIVERS PREMIUM QUALITY WATER FOR HIGH FLOW COMBINATION APPLICATIONS

High Flow CSR Triple 7FC System: EV9329-73  
7FC Replacement Cartridge: EV9692-61 (1 PK)  
EC210 Replacement Cartridge: EV9534-26 (6 PK)  
SS-XL ScaleStick Cartridge: EV9799-42 (6 PK)



## APPLICATIONS

Multiple Equipment and Combination Applications

High-Volume Installations

## FEATURES • BENEFITS

Provides premium quality water to high flow fountain, coffee and ice machines

particles as small as 0.2\* micron in size by mechanical means

Sanitary cartridge replacement is simple, quick and clean; internal filter parts are never exposed to handling or contamination

Reduces chlorine taste & odor and other offensive contaminants that can adversely affect the taste of beverages

Proprietary Fibredyne™ II filtration media effectively inhibits the growth of bacteria on the filter media that can decrease product life

Increases the overall efficiency of foodservice equipment

Extended-life 7FC Cartridges feature balanced chemical and mechanical reduction for optimum performance in varying water qualities

Optimal flow rate and contaminant reduction capacity with prefiltration for maximum performance

Exclusive Fibredyne II submicron technology provides superior chlorine taste & odor reduction and micro-filters dirt and

SR-X Feeder with SS-XL ScaleStick® cartridge inhibits scale buildup in ice machines and coffee brewers

NSF/ANSI Standard 53 certified to reduce cysts such as *Cryptosporidium* and *Giardia* by mechanical means

## INSTALLATION TIPS

Choose a mounting location suitable to support the full weight of the system when in operation.

Use 3/4" water line.

Fountain equipment connections are made to the outlet part of the system before the SR-X System.

Coffee brewer and ice machine connections are made after the SR-X Feeder; a tee is required.

Install vertically with cartridges hanging down and allow 2½" (6.35 cm) clearance below the cartridge for easy cartridge replacement.

Flush cartridges by running water through system for five (5) minutes at full flow.

## OPERATION TIPS

Replace cartridge when flow rate becomes inconveniently slow or before rated capacity is reached. It is recommended to replace cartridge at least once per year.

Change cartridges when capacity is reached or when pressure falls below 10 psi (0.7 bar).

Change SS-XL Cartridge before Hydroblend™ compound is completely used up.

Change Everpure EC210 Prefilter Cartridge when excessively dirty.

Always flush the filter cartridge at time of installation and cartridge change.

## SIZING

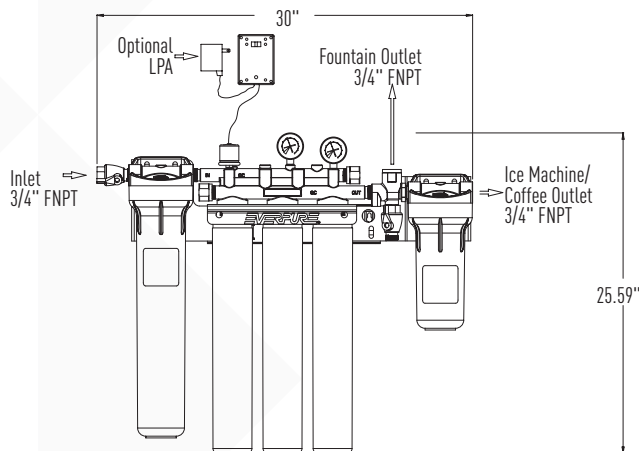
Service Flow Rate: Maximum 7.5 gpm (28.4 Lpm)

Rated Capacity: 75,000 gallons (283,906 L)

\* Validated by ISO 17025 accredited lab for 99.999% reduction of *Pseudomonas diminuta* following the ASTM F838-05 protocol for the validation of 0.2 µm sterilizing grade filters.

# EVERPURE® HIGH FLOW CSR TRIPLE-7FC SYSTEM

EV9329-73



System Tested and Certified by NSF International against NSF/ANSI Standards 42 and 53 for the reduction of:

STANDARD NO. 42 – AESTHETIC EFFECTS

Chemical Reduction  
Taste & Odor  
Chlorine

Mechanical Filtration  
Nominal Particulate Class I

STANDARD NO. 53 – HEALTH EFFECTS

Mechanical Filtration  
Cyst  
Turbidity

## SPECIFICATIONS

### Service Flow Rate

Maximum 7.5 gpm (28.4 Lpm)

### Rated Capacity

75,000 gallons (283,906 L)

### Pressure Requirements

10 - 125 psi (0.7 - 8.6 bar), non-shock

### Maximum Temperature

35 - 100°F (2 - 38°C)

### Overall Dimensions

25.59" L x 30" W x 6.75" D  
(65 cm x 76.2 cm x 17.14 cm)

### Inlet Connection

3/4"

### Outlet Connection

3/4"

### Electrical Connection

None required

### Shipping Weight

43 lbs (19.50 kgs)

### Operating Weight

52 lbs (23.58 kgs)

EPA Est. No. 002623-IL-002

The contaminants or other substances removed or reduced by this drinking water system are not necessarily in your water. Do not use with water that is microbiologically unsafe or of unknown quality without adequate disinfection before or after the system. Systems certified for cyst reduction may be used with disinfected water that may contain filterable cysts.

Since the conditions under which our products may be used are beyond our control, we cannot accept any liability with respect to the improper installation, application and/or use of our products.

## WARRANTY

Everpure water treatment systems by Pentair® (excluding replaceable elements) are covered by a limited warranty against defects in material and workmanship for a period of five years after date of purchase. Everpure replaceable elements (filter cartridges and water treatment cartridges) are covered by a limited warranty against defects in material and workmanship for a period of one year after date of purchase. See printed warranty for details. Pentair will provide a copy of the warranty upon request.



## WATER QUALITY SYSTEMS

EVERPURE-SHURFLO WORLD HEADQUARTERS, 1040 MUIRFIELD DRIVE, HANOVER PARK, IL 60133 USA • FOODSERVICE.PENTAIR.COM  
800.942.1153 (US ONLY) • 630.307.3000 MAIN • 630.307.3030 FAX • CSEVERPURE@PENTAIR.COM EMAIL

EVERPURE-SHURFLO AUSTRALIA, 1-21 MONASH DRIVE, DANDENONG SOUTH, VIC 3175 AUSTRALIA  
011.1300.576.190 TEL • 011.61.39.562.7237 FAX • AU.EVERPURE@PENTAIR.COM EMAIL

EVERPURE-SHURFLO CHINA, 21F CLOUD 9 PLAZA, NO 1118, SHANGHAI, 200052, CHINA  
86.21.3211.4588 TEL • 86.21.3211.4580 FAX • CHINA.WATER@PENTAIR.COM EMAIL

EVERPURE-SHURFLO INDIA, GREEN BOULEVARD, B-9/A, 7TH FLOOR - TOWER B SECTOR 62, NOIDA - 201301  
91.120.419.9444 TEL • 91.120.419.9400 FAX • INDIACUSTOMER@PENTAIR.COM EMAIL

EVERPURE-SHURFLO EUROPE, PENTAIR WATER BELGIUM BVBA, INDUSTRIEPARK WOLFSTEE, TOEKOMSTLAAN 30, B-2200 HERENTALS, BELGIUM  
+32.(0).14.283.504 TEL • +32.(0).14.283.505 FAX • SALES@EVERPURE-EUROPE.COM EMAIL

EVERPURE-SHURFLO JAPAN INC., HASHIMOTO MN BLDG. 7F, 3-25-1 HASHIMOTO, MIDORI-KU, SAGAMIHARA-SHI KANAGAWA 252-0143, JAPAN  
81.(0)42.775.3011 TEL • 81.(0)42.775.3015 FAX • INFO@EVERPURE.CO.JP EMAIL

EVERPURE-SHURFLO SOUTHEAST ASIA, 390 HAVELOCK ROAD, #04-01 KING'S CENTRE, SINGAPORE 169662  
65.6768.5800 TEL • 65.6737.5149 FAX • CSEVERPURE@PENTAIR.COM EMAIL

All Pentair trademarks and logos are owned by Pentair, Inc. or its affiliates. All other registered and unregistered trademarks and logos are the property of their respective owners. Because we are continuously improving our products and services, Pentair reserves the right to change specifications without prior notice. Pentair is an equal opportunity employer.