

# iT0500 Ice Cube Machine

## Models

- IRT0500A  
  IDT0500A  
  IYT0500A  
  IRT0500W  
  IDT0500W  
 IYT0500W



Indigo NXT Series iT0500 Ice Machine on D570 Bin

Designed for operators who know that ice is critical to their business, the Indigo NXT Series ice machine's preventative diagnostics continually monitor itself for reliable ice production. Improvements in cleanability and programmability make your ice machine easy to own and less expensive to operate.

- **New levels of Performance** – Showcasing an average of 12% lower energy consumption and a 23% reduction in condenser water usage. This translates into lower cost of ownership over the life of your machine.
- **easyTouch<sup>®</sup> Display** - New icon based touch screen takes the guess work out of owning and operating an ice machine.
- **Programmable Ice Production** – Now its super easy to program your ice machine to be off at certain times of the day to save money with fluctuating electrical rates. Also programmable by daily ice production volume.
- **Easy to Clean Foodzone** – Hinge front door swing out for easy access. Removable water-trough, distribution tube, curtain, water probe and water pump for fast and efficient cleaning. Selected components are made with AlphaSan<sup>®</sup> antimicrobial.
- **Intelligent Diagnostics** – Provides 24 hour preventative maintenance and diagnostic feedback for trouble free operation.
- **Acoustical Ice Sensing Probe** – Unique patented technology allows for reliable operation in challenging water conditions and environments
- **DuraTech<sup>®</sup> Exterior** – Provides superior corrosion resistant above stainless steel. Innovative clear-coat resists fingerprints and dirt making it easier to keep clean.
- Available **LuminIce<sup>®</sup> II Growth Inhibitor** – Controls the growth of bacteria and yeast within the Food zone keeping the machine cleaner longer. A new indicator in the display keeps you abreast of the operational status.

## Ice Machine Electric

115/60/1 standard  
(208-230/60/1 also available)

### Minimum circuit ampacity:

Air-cooled: 115v : 11.5, 208-230v : 5.1  
Water-cooled: 115v : 10.8

### Maximum fuse size:

Air Cooled: 15 amps  
Water cooled: 15 amps



## Specifications

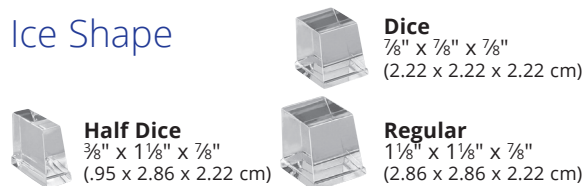
**BTU Per Hour:**  
3,800 (average),  
and 6,000 (peak)

**Refrigerant:**  
R410A CFS - Free  
Lowers global warming  
by 48%

### Operating Limits:

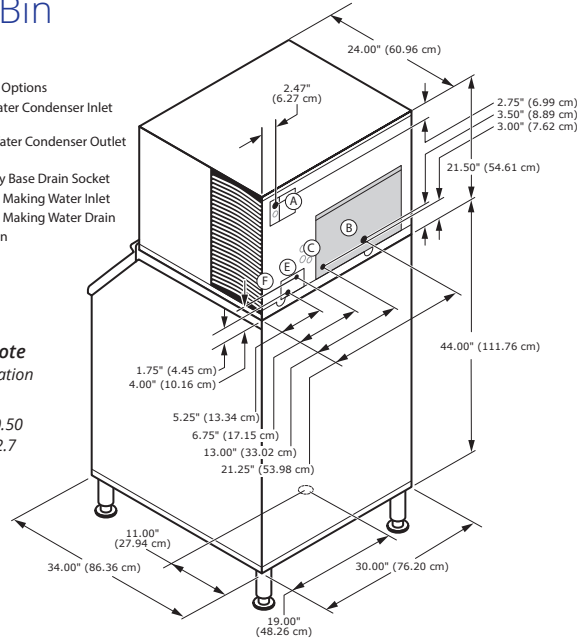
- Ambient Temperature Range: 40° to 110°F (4.4° to 43.3° C)  
Water Temperature Range: 40° to 90°F (4.4° to 32.2° C)
- Water Pressure Ice Maker Water In:  
Min. 20 psi (137.9 kPa)  
Max. 80 psi (551.1 kPa)

## Ice Shape



## iT0500 on D-570 Storage Bin

- (A) Electrical Entrance (2) Options
- (B) 3/8" (0.95 cm) F.P.T. Water Condenser Inlet (water-cooled units)
- (C) 1/2" (1.27 cm) F.P.T. Water Condenser Outlet (water-cooled units)
- (D) 1/2" (1.27 cm) Auxiliary Base Drain Socket
- (E) 3/8" (0.95 cm) F.P.T. Ice Making Water Inlet
- (F) 1/2" (1.27 cm) F.P.T. Ice Making Water Drain
- (G) 3/4" (1.91 cm) Bin Drain



### Installation Note

Minimum installation clearance:  
 Top/side: 12" (30.50 cm)  
 Back is 5" (12.7 cm)

## Space-Saving Design



|             | iT0500 D-400           | iT0500 D-570           |
|-------------|------------------------|------------------------|
| Height      | 59.50"<br>151.13 cm    | 71.50"<br>181.61 cm    |
| Width       | 30.00"<br>76.2 cm      | 30.00"<br>76.2 cm      |
| Depth       | 34.00"<br>86.30 cm     | 34.00"<br>86.30 cm     |
| Bin Storage | 365 lbs.<br>165.7 kgs. | 543 lbs.<br>241.1 kgs. |

Height includes adjustable bin legs 6.00" to 8.00", (15.24 to 20.32 cm) set at 6.00" (15.24 cm).  
 Bin capacity is based on 90% of the volume x 33 lbs/ft<sup>3</sup> average density of ice.

## Specifications

|              | Model     | Ice Shape | Ice Production 24 Hours |                    | Power Usage kWh/100 lbs. @90°Air/70°F 1 Ph | Potable Water Usage/100 lbs. 45.4 kgs. of Ice |
|--------------|-----------|-----------|-------------------------|--------------------|--|---|
|              |           |           | 70°Air/ 50°F Water      | 90°Air/ 70°F Water |  |   |
| AIR COOLED   | IRT0500A  | Regular   | 500 lbs.                | 386 lbs.           | 5.04 ★                                     | 19 Gal.<br>71.9 L                             |
|              |           |           | 227 kgs                 | 175 kgs            |  |   |
|              | IDT0500A  | dice      | 520 lbs.                | 400 lbs.           | 5.25 ★                                     | 19 Gal.<br>71.9 L                             |
| WATER COOLED | IYT0500A  | half-dice | 550 lbs.                | 440 lbs.           | 4.58 ★                                     | 19 Gal.<br>71.9 L                             |
|              |           |           | 249 kgs                 | 200 kgs            |  |   |
|              | IRT0500W  | Regular   | 500 lbs.                | 406 lbs.           | 4.30                                       | 19 Gal.<br>71.9 L                             |
|              |           |           | 227 kgs                 | 184 kgs            |  |   |
| IDT0500W     | dice      | 500 lbs.  | 400 lbs.                | 4.41               | 19 Gal.<br>71.9 L                          |   |
|              |           | 227 kgs   | 181 kgs                 |                    |  |   |
| IYT0500W     | half-dice | 535 lbs.  | 460 lbs.                | 3.90               | 19 Gal.<br>71.9 L                          |   |
|              |           | 243 kgs.  | 209 kgs                 |                    |  |   |

\* Water-cooled Condenser Water Usage / 100 lbs. /45.4 kgs. Of Ice: 130 gal/ 492 L.  
 \*Water-cooled models are excluded from ENERGY STAR qualification.

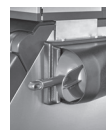
Order the ice storage bin separate from the ice machine.  
 ★ ENERGY STAR® 3.0

## Accessories

**LuminIce® II Growth Inhibitor**  
 reduces yeast and bacteria growth for a cleaner ice machine.



**External Scoop holder**  
 Protect the ice scoop with the NSF approved versatile scoop holder.



**Arctic Pure® Water Filters**  
 Reduces sediment and chlorine odors for better tasting ice.



**iAuCS®**  
 schedules and performs routine ice machine cleaning automatically.



Welbilt reserves the right to make changes to the design or specifications without prior notice.