

# SM-50 Ice Cube Machine

SM-50 Ice Cube Machine

## Models

- SM-50A



SM-50A

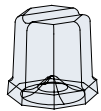
## Standard Features

- Produces up to 53 lbs. (24 kgs) of ice in 24 hours with storage capacity of 25 lbs. (11 kgs)
- Individual cubes with unique octagon shape.
- Designed to be installed into standard cabinet dimensions 15.00" (38.00 cm) or stand alone with stainless steel top and sides standard.
- Unit ships with hinge on right, easily changed to left during installation.
- Easily accessible control panel with the following functionality:
  - Automatic ice making mode.
  - Patented cleaning and sanitizing.
  - Delay start option.
  - Filter replacement warning light.
- Water filter system integrated inside machine with depth filtration and scale inhibitor.
- Lighted bin (LED light) with large opening for easy access.
- Optional drain pump easily integrates inside the machine during installation.

## Warranty

- 3-year commercial parts and labor warranty on entire machine.
- 1-year residential ice machine limited warranty.

## Cube Size

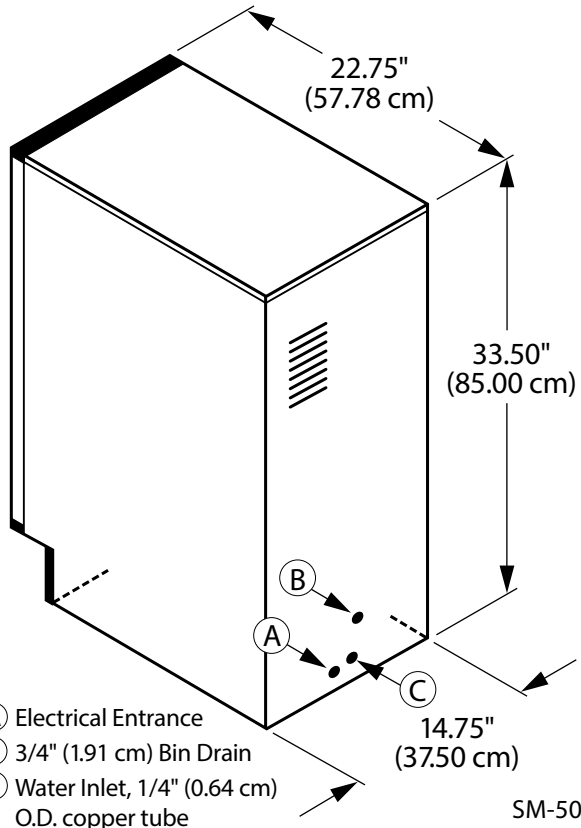


**Standard**  
1 $\frac{3}{8}$ " x 1 $\frac{3}{8}$ "  
(33x34 mm)c





**SM-50 Ice Cube Machine**



Installation Note - There is no minimum clearance required, designed to be integrated into cabinet opening 15.00" (38.00 cm) wide.

**Ice Machine Electric**

**115/60/1** Factory pre-wired with a 6' (180 cm) power cord and NEMA 5-15P-plug configuration.

**Total Amps:** 4.1

**Max. fuse size:** 15 amps

HACR-type circuit breakers can be used in place of fuses.

**Specifications**

**BTU Per Hour:**

1,145 (average) 2,300 (peak)

**Compressor:**

Nominal rating: 1/6 HP

**Operating Limits:**

- Ambient Temperature Range: 50° to 110° F (10° to 43° C)
- Water Temperature Range: 35° to 90° F (2° to 32° C)
- Water Pressure Ice Maker Water In: Min. 20 psi (138 kPa) Max. 80 psi (551 kPa)

**Legs:**

Levelers standard 0" to 1" (0-2.5 cm) adjustability.

Optional legs (K-00345) 4.25"-6.00" (10.80-15.24 cm).

**Insulation:**

Insulation foamed-in-place with CFC-FREE foam.

Modell	Ice Shape	Ice production 24 hours				Power kWh/100 lbs @90°/70°F
		70° Air/50° F Water 21° Air/10° C Water		90° Air/70° F Water 32° Air/21° C Water		
		lbs.	kgsk	lbs.	gs	
SM-50A	Standard	53	24	44 lbs.7	20 kgs	.0
Water usage/100 lbs./45.4 kgs of Ice						
Potable Water: 43 gallons, 163 liters						

"A" following model number indicates "Air" cooled condensing unit.

**Air Flow Front View**



Air in the right, air out left, no side, vents.

**Front Access Control Panel**



Machine automatic keeps the bin full. Choose delay start for optimal quietness. Machine automatic restarts.

**Water Filter**



Auto-bypass for easy change out. Replacement water filter is AR-2800 (K-00374 12 pk)

Welbilt reserves the right to make changes to the design or specifications without prior notice.